

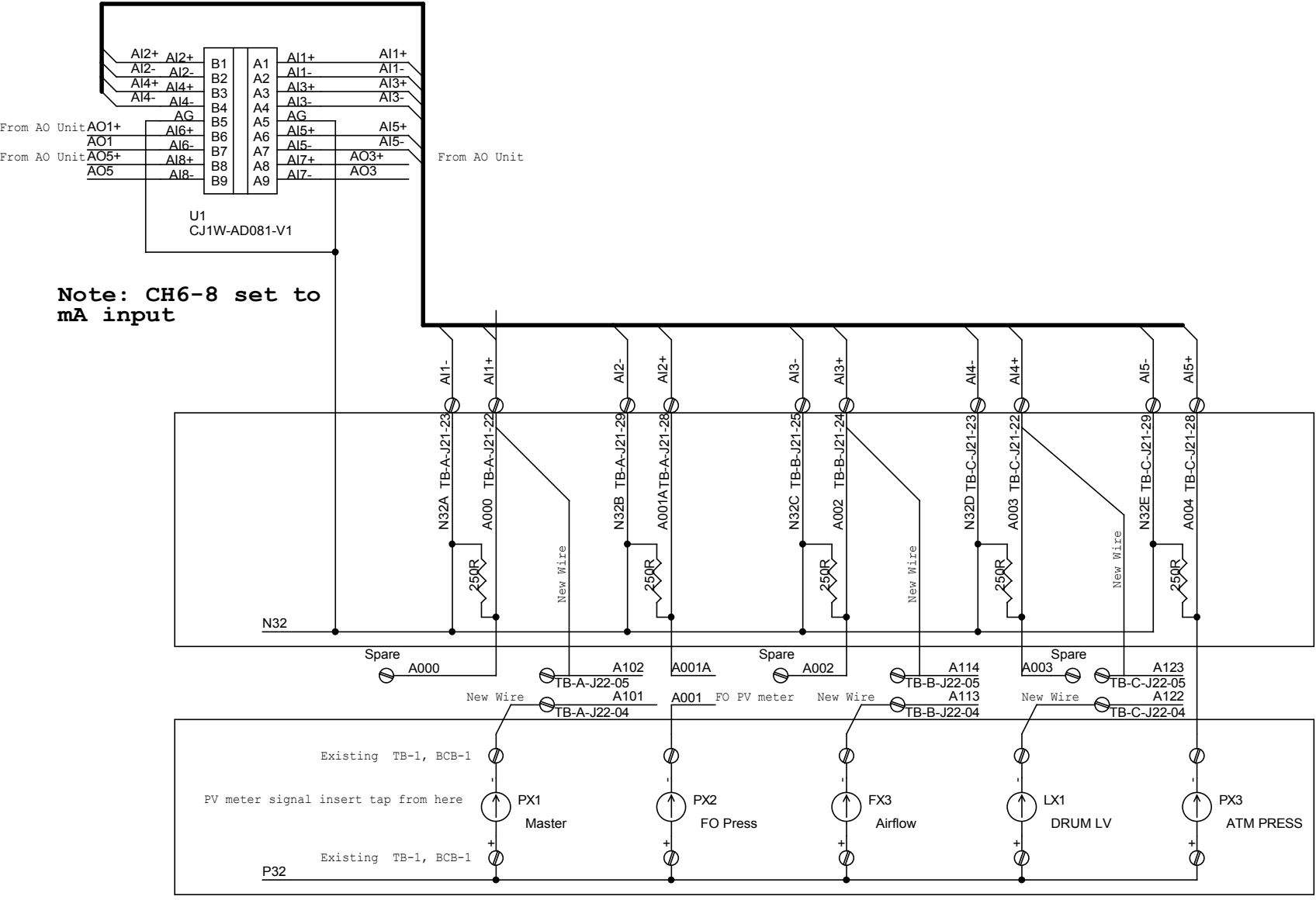
Grounding information:

GR: Safety Ground  
 LG: Increase  
 noise resistance

Dimensions:

L=193  
 D=74  
 H=90

**MAC-45B KMM901 ABC  
 CONTROLLER REPLACING  
 WITH OMRON CJ2M-CPU13  
 PLC**

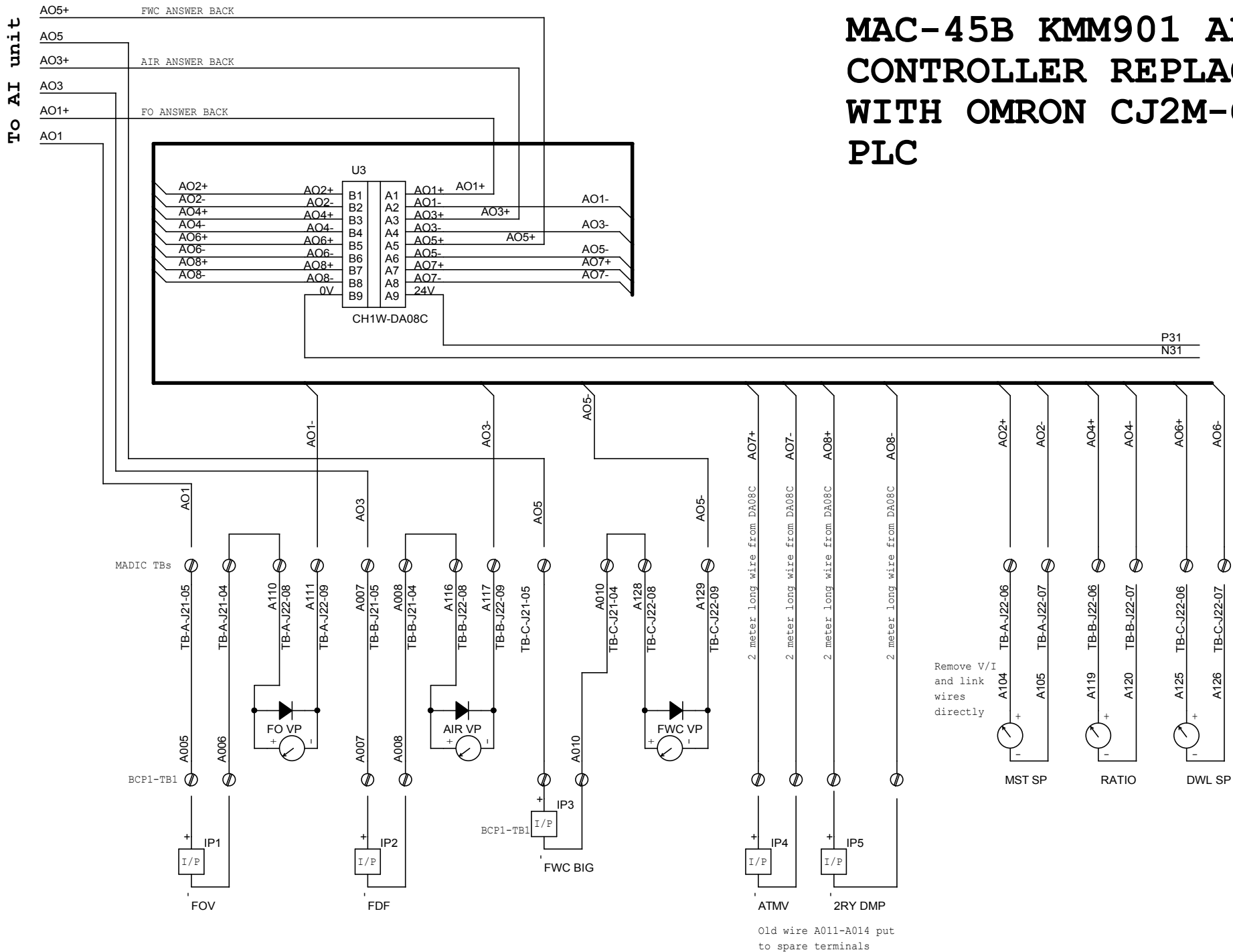


**Note: CH6-8 set to mA input**

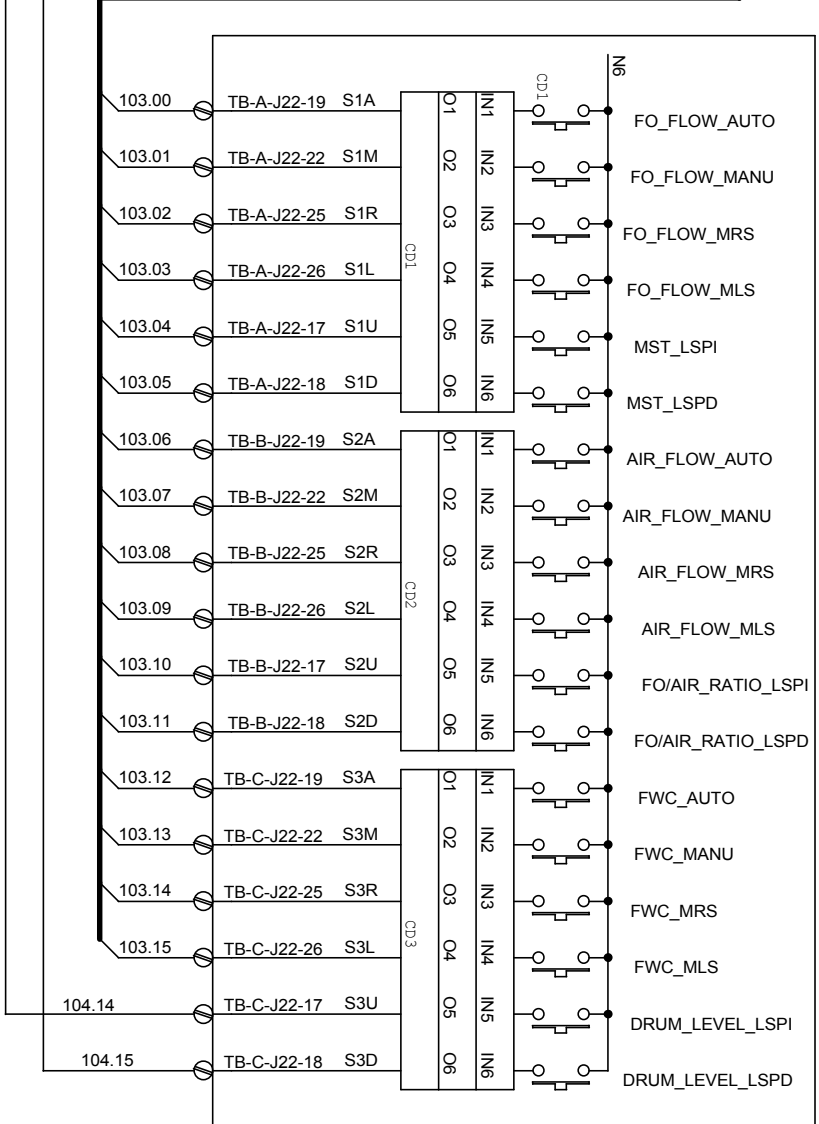
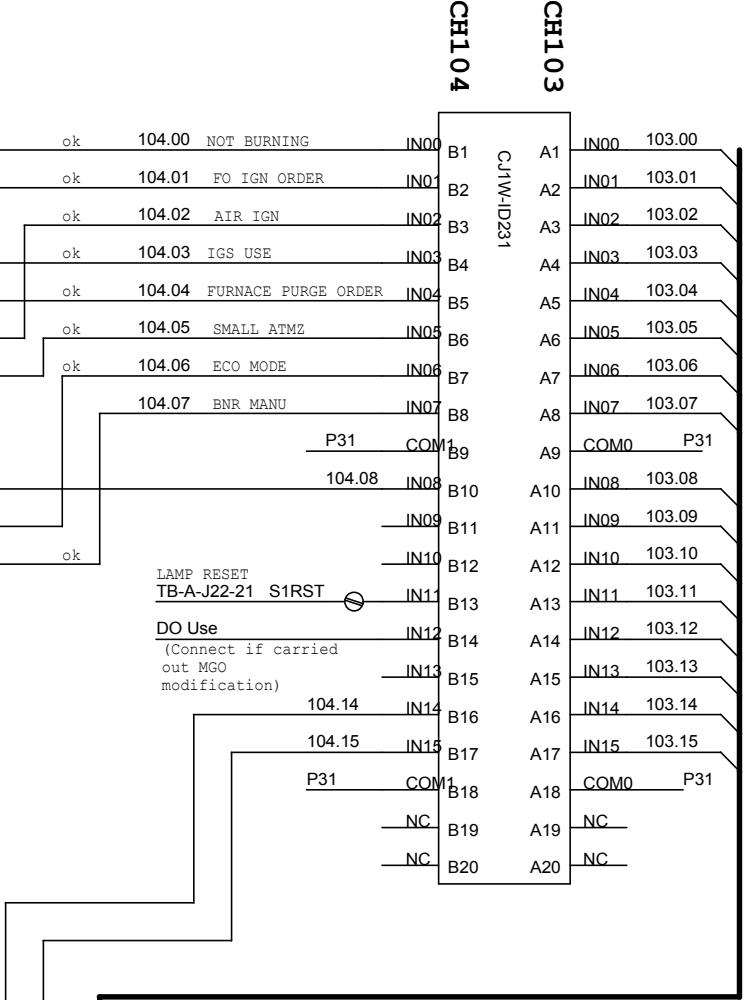
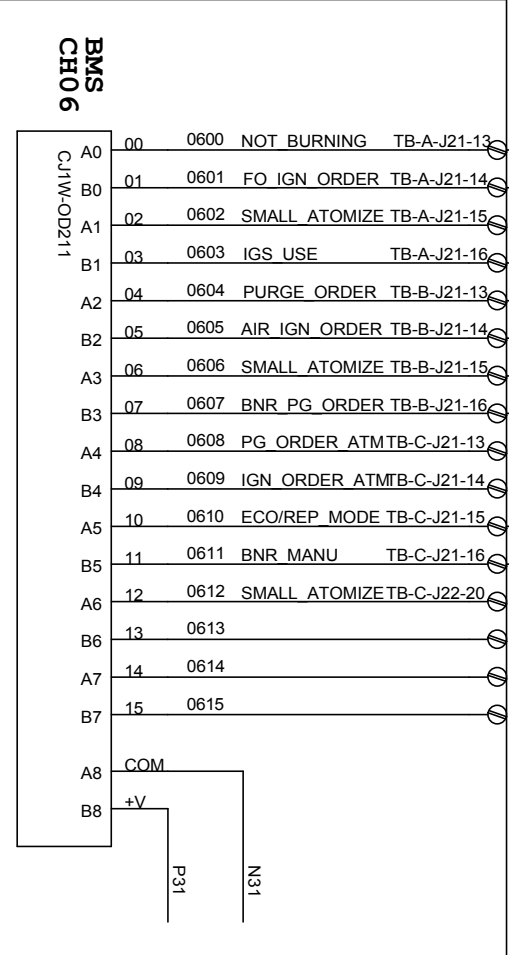
1. Disconnect A000 from TB1 and put to spare terminal TBA-34
2. Use extra wire link A000 cable wire (without A000 label) to TBA A101 let mA pass MST PV meter
3. Link A102 (MST PV meter return) to TBA A000
4. For Air Tx and Level Tx do it in same way

# MAC-45B KMM901 ABC CONTROLLER REPLACING WITH OMRON CJ2M-CPU13 PLC

# MAC-45B KMM901 ABC CONTROLLER REPLACING WITH OMRON CJ2M-CPU13 PLC



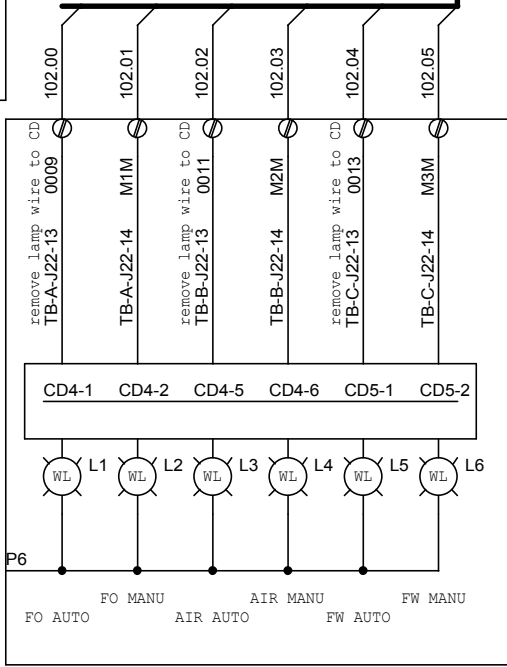
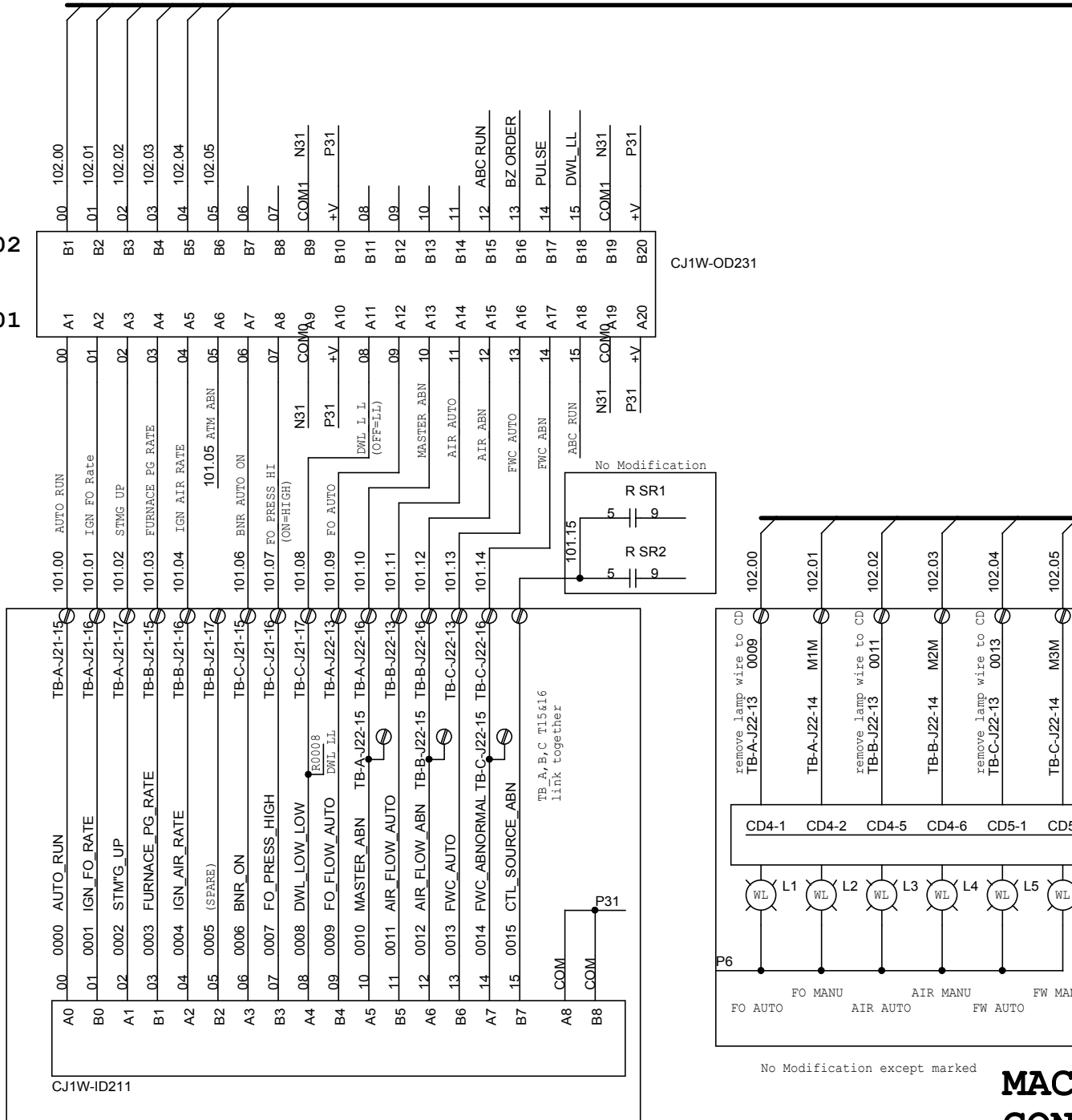
Existing Wiring, no modification



**MAC-45B KMM901 ABC  
CONTROLLER REPLACING  
WITH OMRON CJ2M-CPU13  
PLC**

CH102

CH101



**MAC-45B KMM901 ABC  
CONTROLLER REPLACING WITH  
OMRON CJ2M-CPU13 PLC**