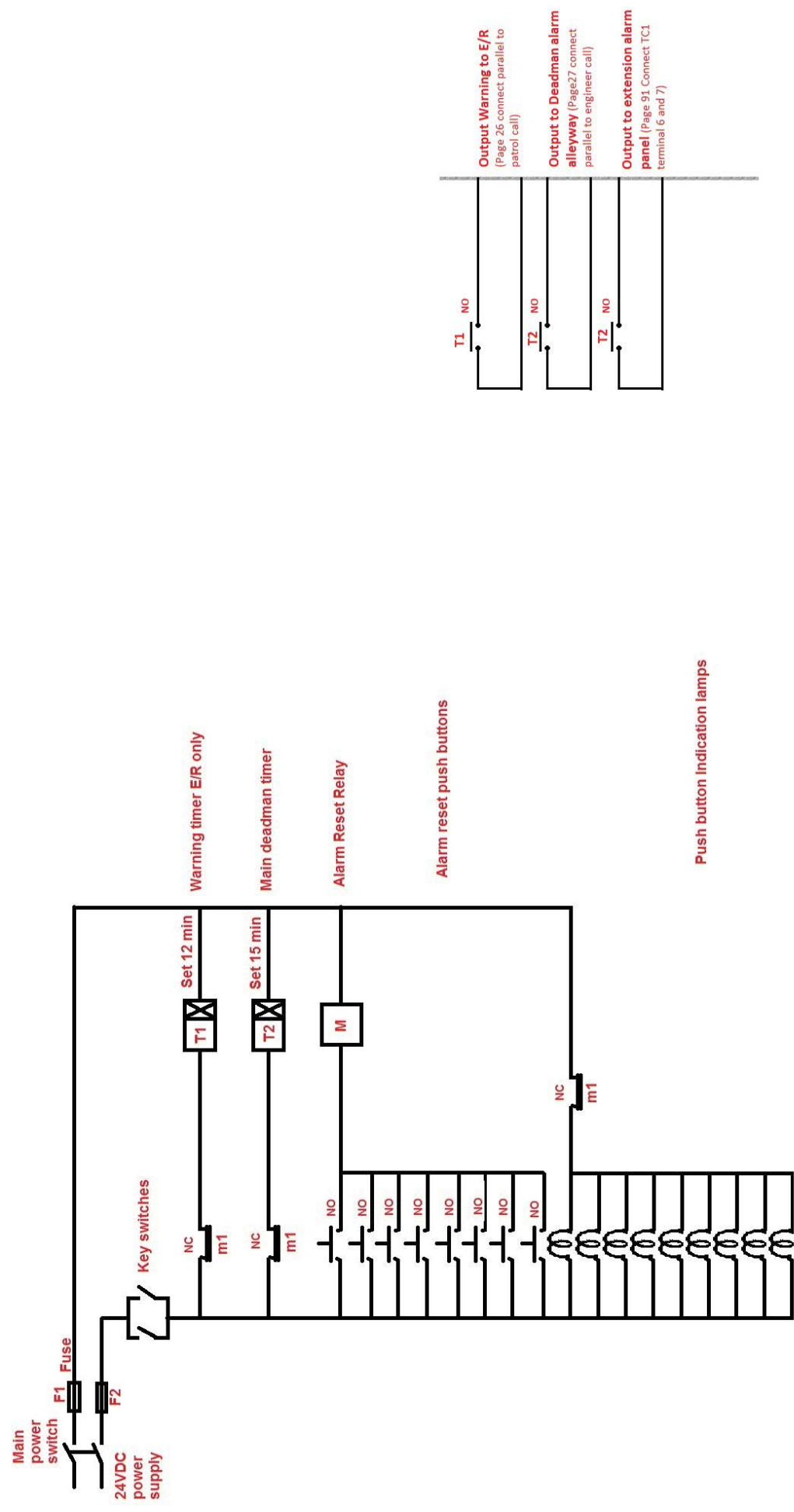
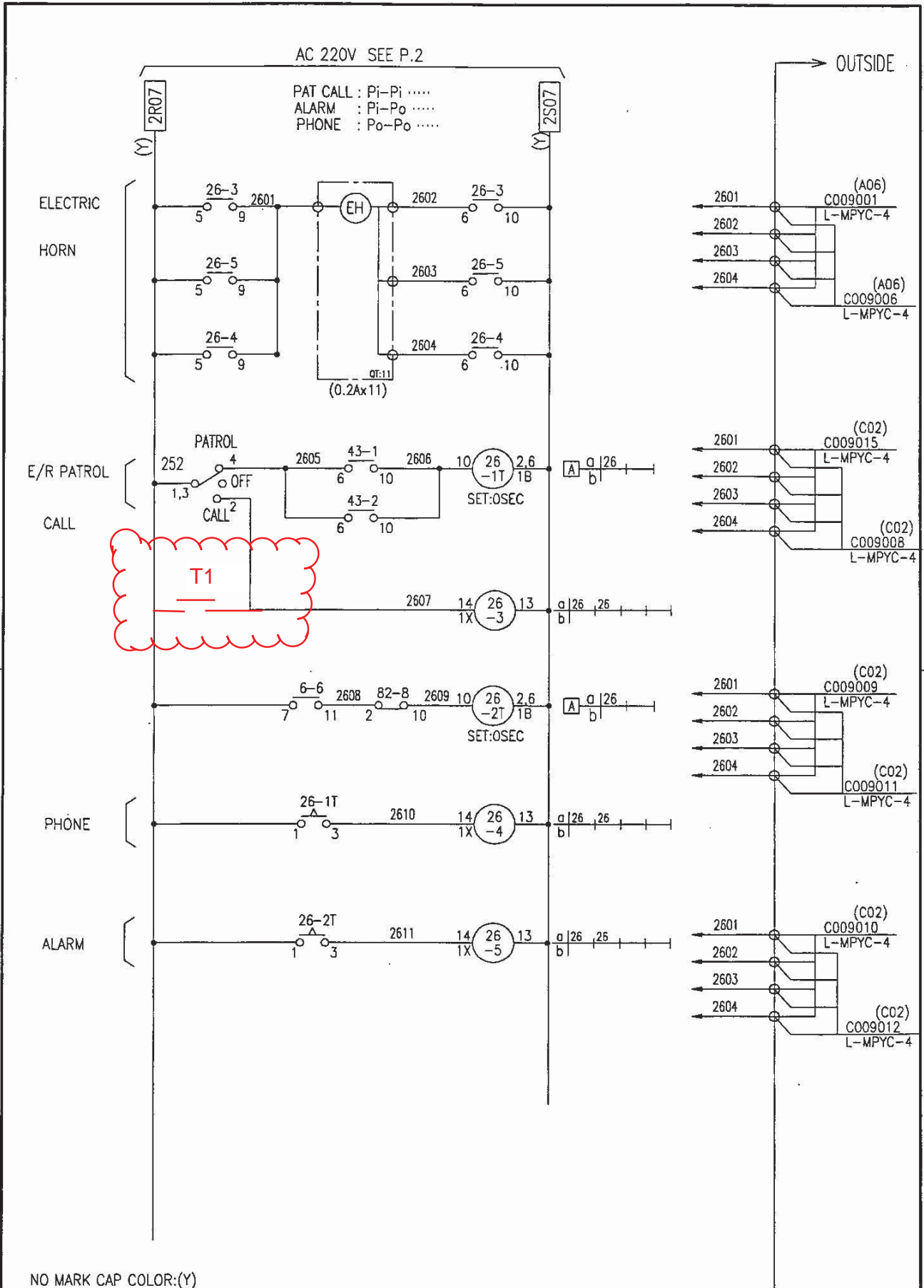


Note:
 On wheelhouse indication will show when dead man system is ON and if alarm is not accepted within stipulated time, alarm and indication will come in all extension alarm panels including bridge. In addition to this the engineer's call will be activated.





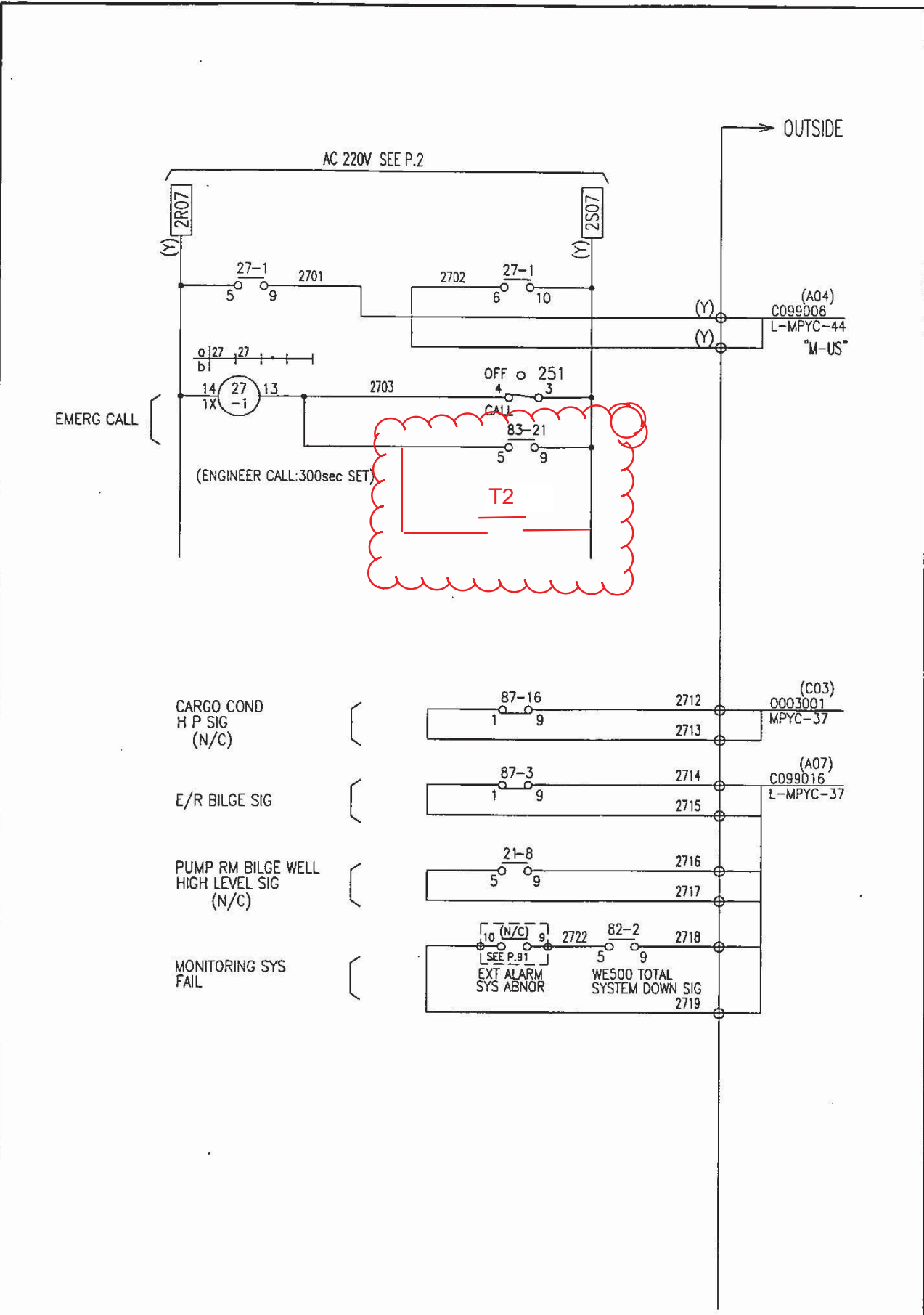
A26 USC_ariake SNo.124/125 ONLY

C124-26

Ⓢ													
A	B	C	D	E	F	G	H	I	J	K	L		



CONTROL CIRCUIT



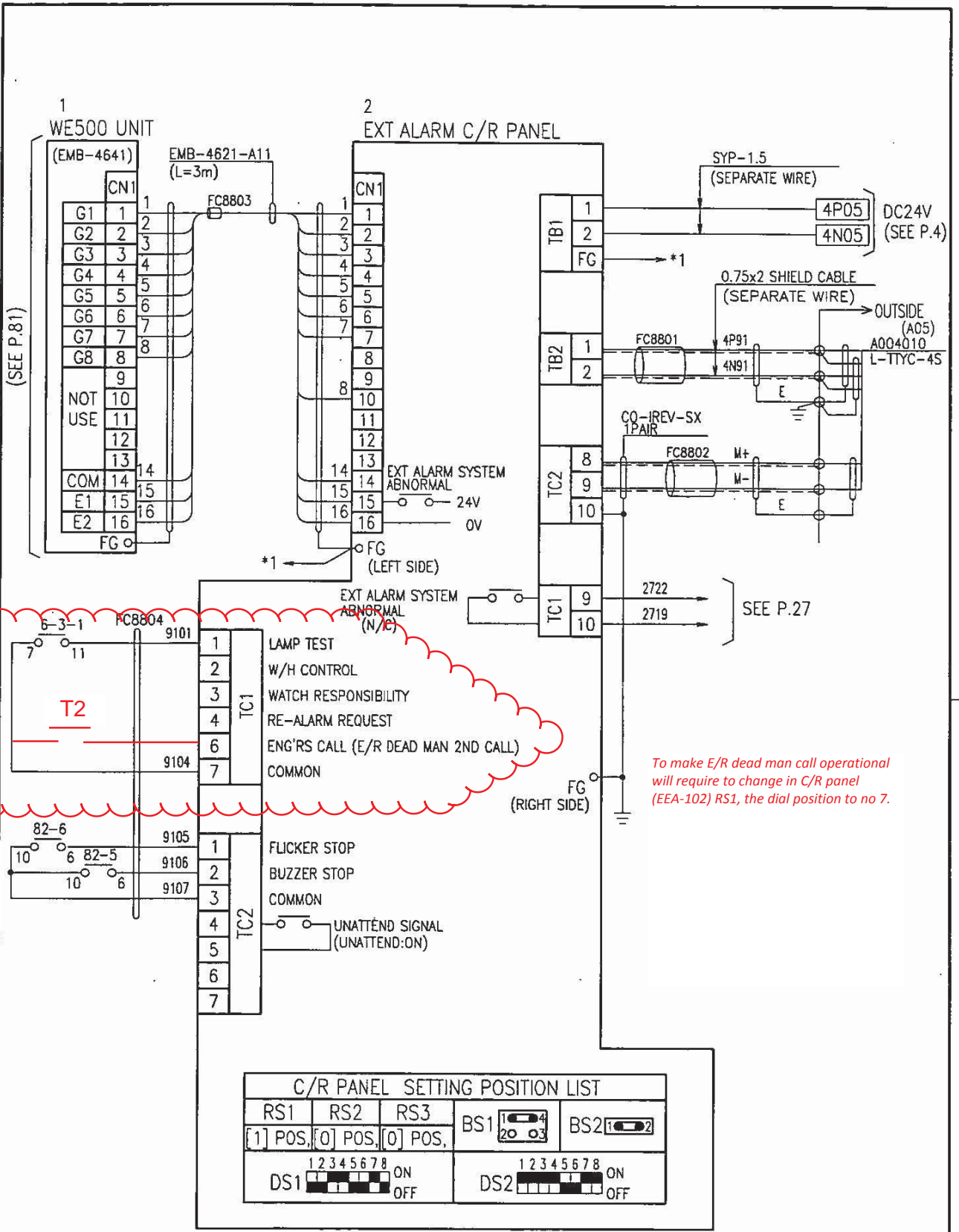
A26 USC_ariake SNo.124/125 ONLY

C124-27

Ⓢ													
A	B	C	D	E	F	G	H	I	J	K	L		



CONTROL CIRCUIT



To make E/R dead man call operational will require to change in C/R panel (EEA-102) RS1, the dial position to no 7.

C/R PANEL SETTING POSITION LIST					
RS1	RS2	RS3	BS1	BS2	
[1] POS.	[0] POS.	[0] POS.	<input type="checkbox"/> 4 <input type="checkbox"/> 20 <input type="checkbox"/> 03	<input type="checkbox"/> 2	
DS1			DS2		
1	2	3	4	5	6
2	3	4	5	6	7
3	4	5	6	7	8
ON			ON		
OFF			OFF		

FC8801,02:FERRITE CORE TYPE ZCAT 2035-0930A
 FC8803,04:FERRITE CORE TYPE ZCAT 3035-1330x2

A26 USC_ariake
C093-91